

### Features

- Six Flexjet® hydromassage jets can be individually adjusted for water flow and direction.
- Built-in heater.
- Spacious design accommodates up to two bathers.
- Integral lumbar support.
- Multiple pump location options give you more choices for installation and access.
- Textured bottom surface.
- Single-speed whirlpool offers performance and value, with 6 fully adjustable jets.

### Material

- KOHLER® enameled cast iron.

### Installation

- Drop-in or undermount.
- Reversible drain.
- Requires K-23856 cable pop-up bath drain and K-23857 bath drain trim (sold separately).

### Required Products/Accessories

K-9696 Whirlpool 6-Jet Trim Kit

or

K-23856 1-1/2" cable pop-up bath drain

or

K-23857 Bath drain trim

### Recommended Products/Accessories

K-1179 Vinyl Tiling-in Bead

K-586 Under-Mount Installation Kit

K-1172 Adjustable feet

K-1491 Bath/Whirlpool Pillow

K-1601 Bath/whirlpool footstop, removable

K-702200-G73 Frameless Sliding Bath Door

K-702200-L Frameless Sliding Bath Door

K-23726 Drain treatment

K-23725 Cast iron cleaner



ADA

### Codes/Standards

ASME A112.19.1/CSA B45.2

ASME A112.19.7/CSA B45.10

ASTM F462

UL 1795

CSA C22.2 No. 218.2

ADA





ICC/ANSI A117.1

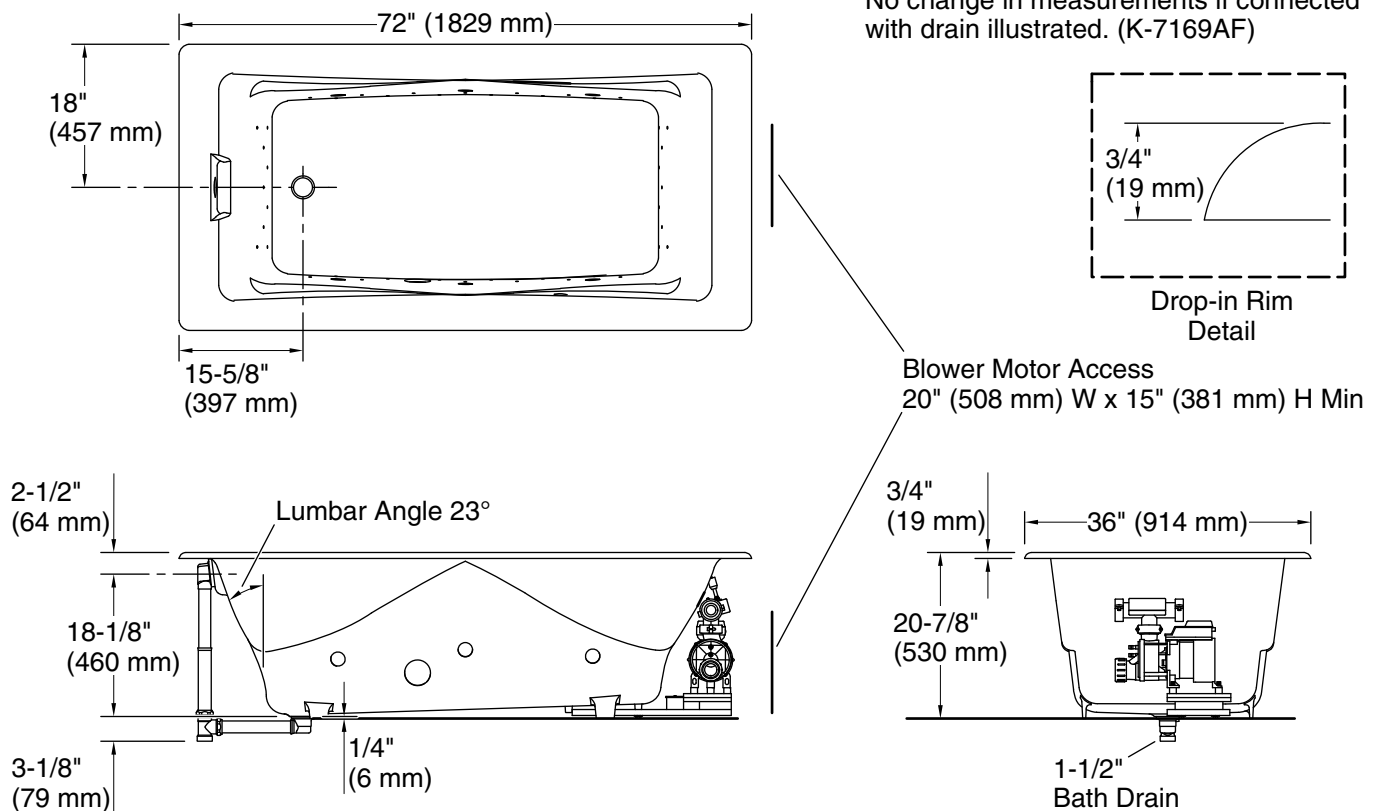
**KOHLER® Hydrotherapy  
Components Five-Year Limited  
Warranty KOHLER® Enameled Cast  
Iron Bath and Shower Base Lifetime  
Limited Warranty**

See website for detailed warranty information.

### Available Colors/Finishes

*Color tiles intended for reference only.*

Color	Code	Description
	0	White
	96	Biscuit
	NY	Dune
	7	Black Black™



### Required Electrical Service

Two dedicated circuits required, protected with Class A Ground-Fault Circuit-Interrupter (GFCI). Outside North America, this device may be known as a Residual Current Device (RCD).

Pump: 120 V, 15 A, 60 Hz  
Heater: 120 V, 15 A, 60 Hz

### Technical Information

All product dimensions are nominal.

Installation: Drop-in, Undermount  
Drain location: Reversible  
Basin area, bottom: 49" x 22" (1245 mm x 559 mm)  
Basin area, top: 62" x 28" (1575 mm x 711 mm)  
Weight: 455 lbs (206.4 kg)  
Minimum floor load: 69 lbs/ft<sup>2</sup> (336.9 kg/m<sup>2</sup>)  
Water depth: 17" (432 mm)  
Water capacity: 89 gal (336.9 L)  
Cutout: Drop-in, 70-1/4" x 34-1/2" (1784 mm x 876 mm)  
Electrical component rating: Pump: 120 V, 7 A, 60 Hz  
Heater: 120 V, 12 A, 60 Hz  
Pump speed: Single

### Notes

Measure your actual product for rough-in details.

Install this product according to the installation instructions.

The hot water supply should be 70% of the capacity of the bath or greater. Installations will vary.

ADA compliant when installed to the specific requirements of these regulations.